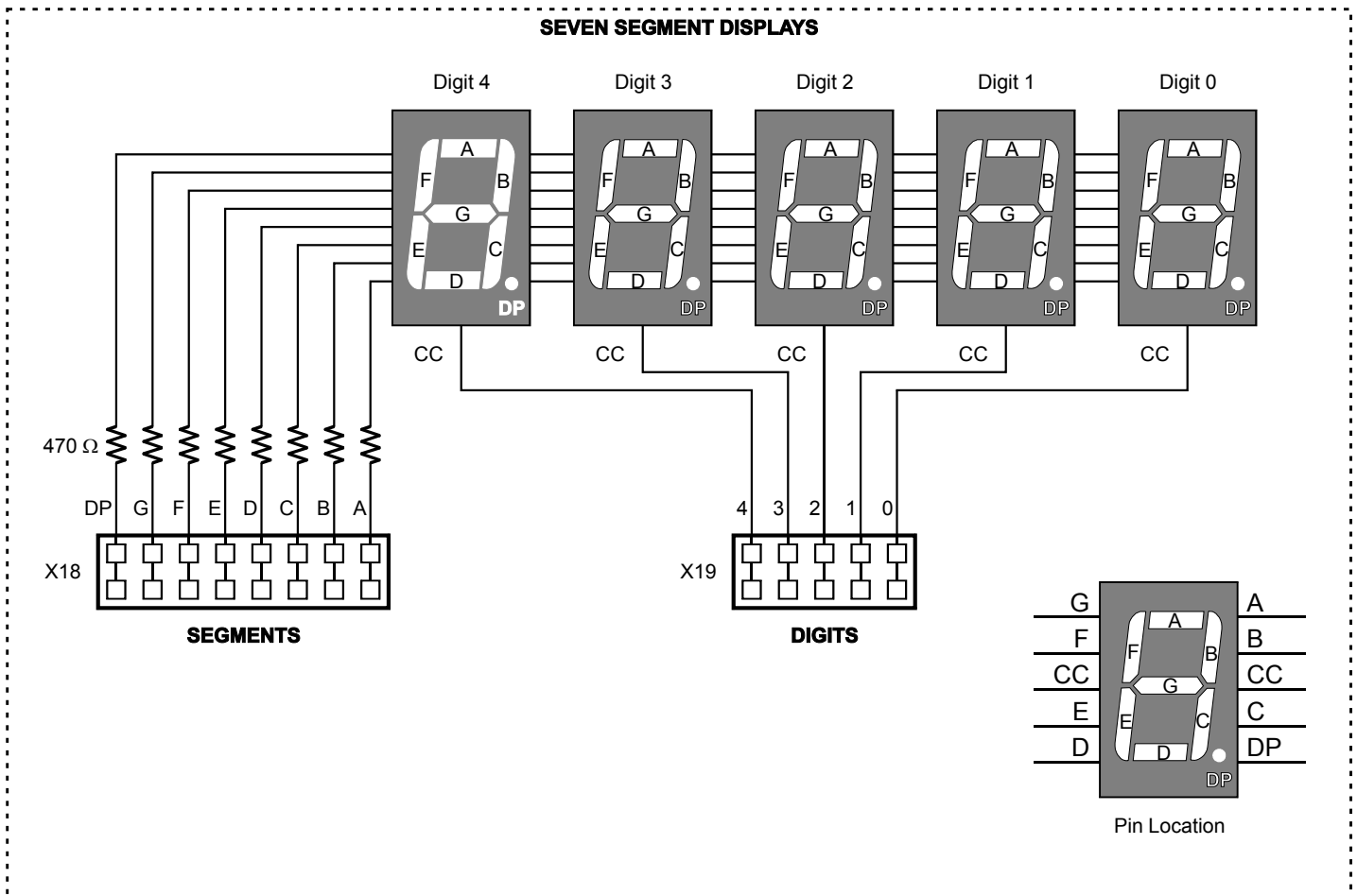
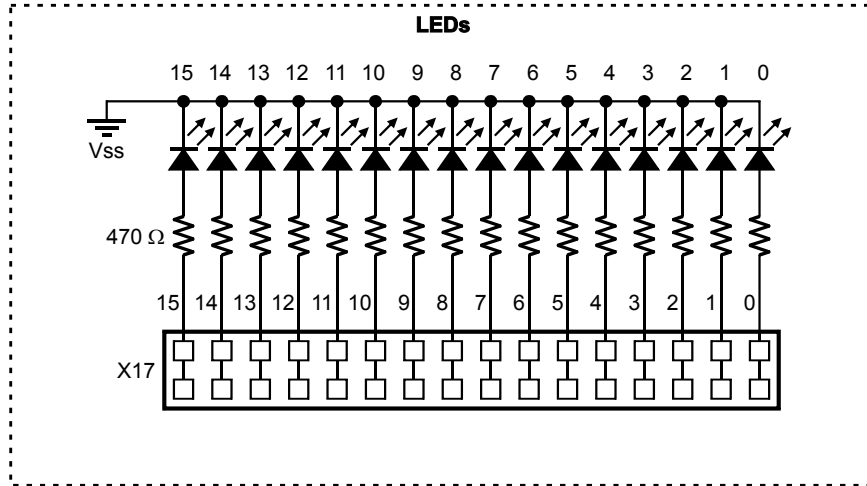


Professional Development Board Schematic Rev. C

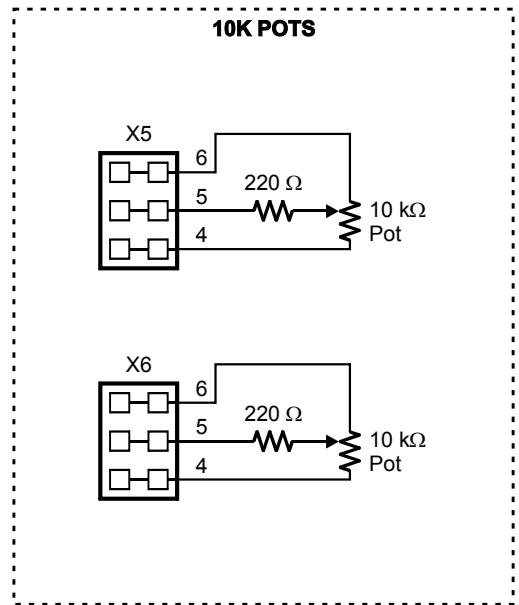
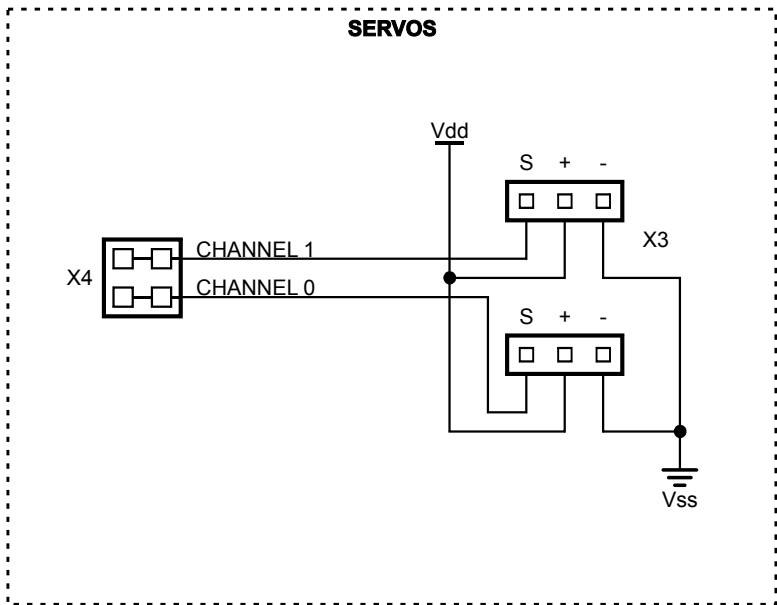
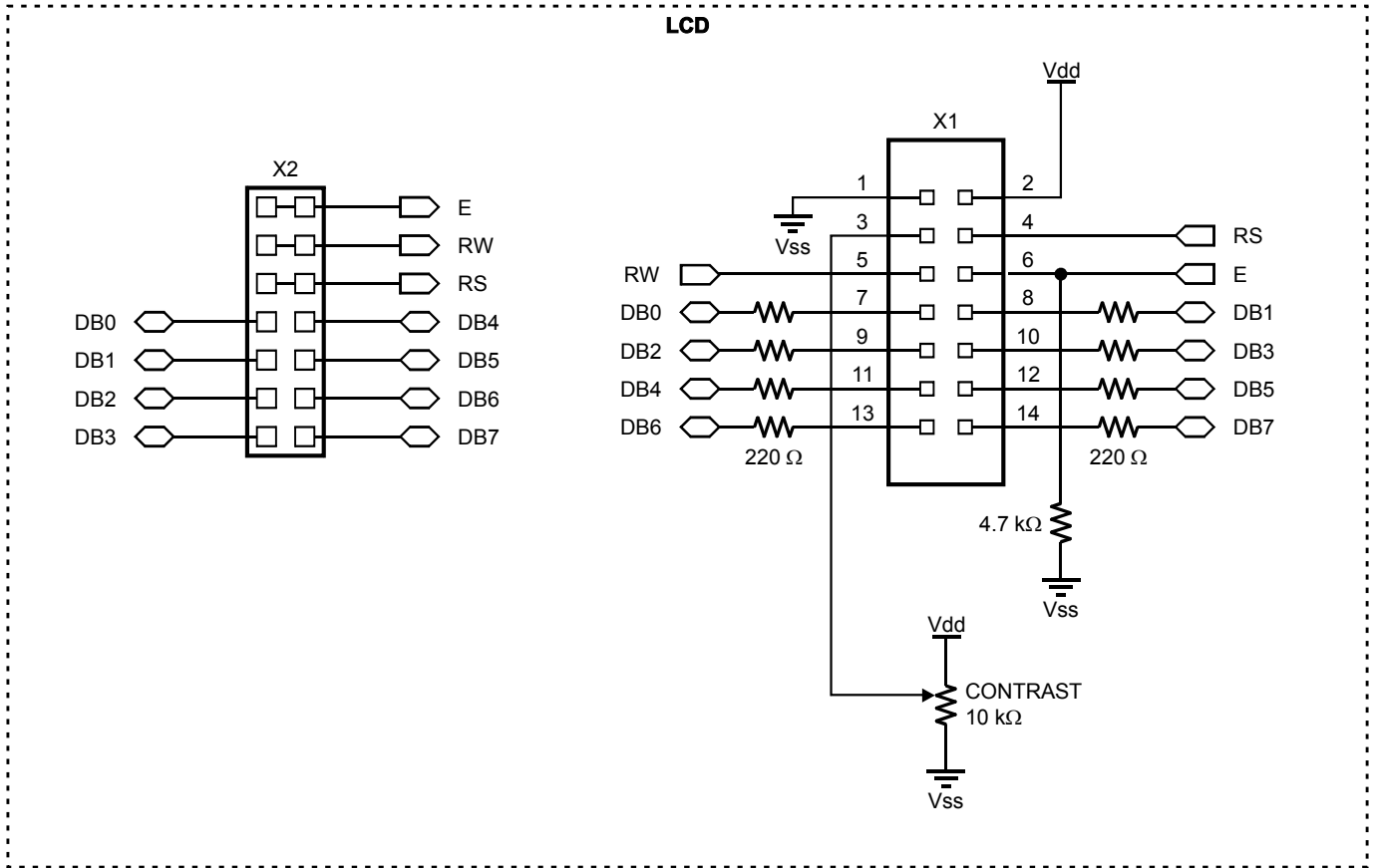
Updated 1-30-07 © Parallax, Inc.



Generally schematic sections start at the top center of the board and continue clockwise.

Professional Development Board Schematic Rev. C

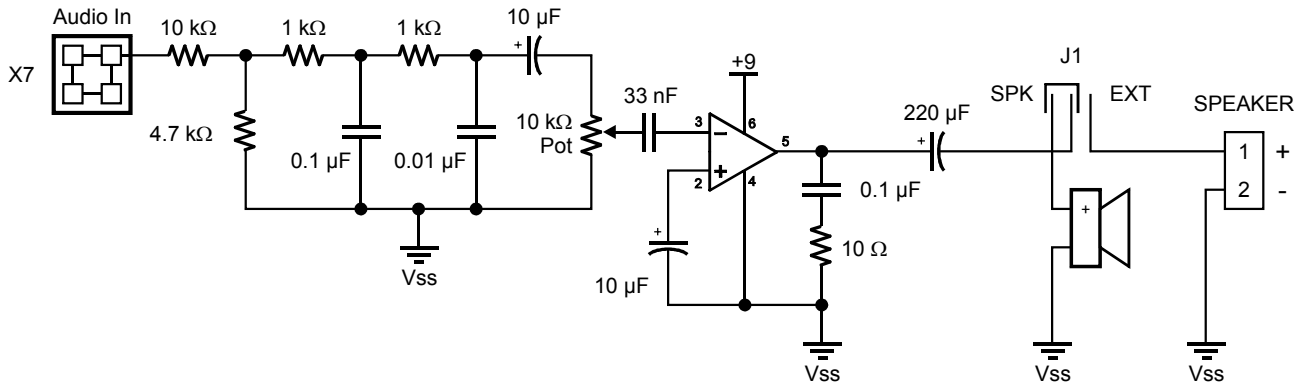
Updated 1-30-07 © Parallax, Inc.



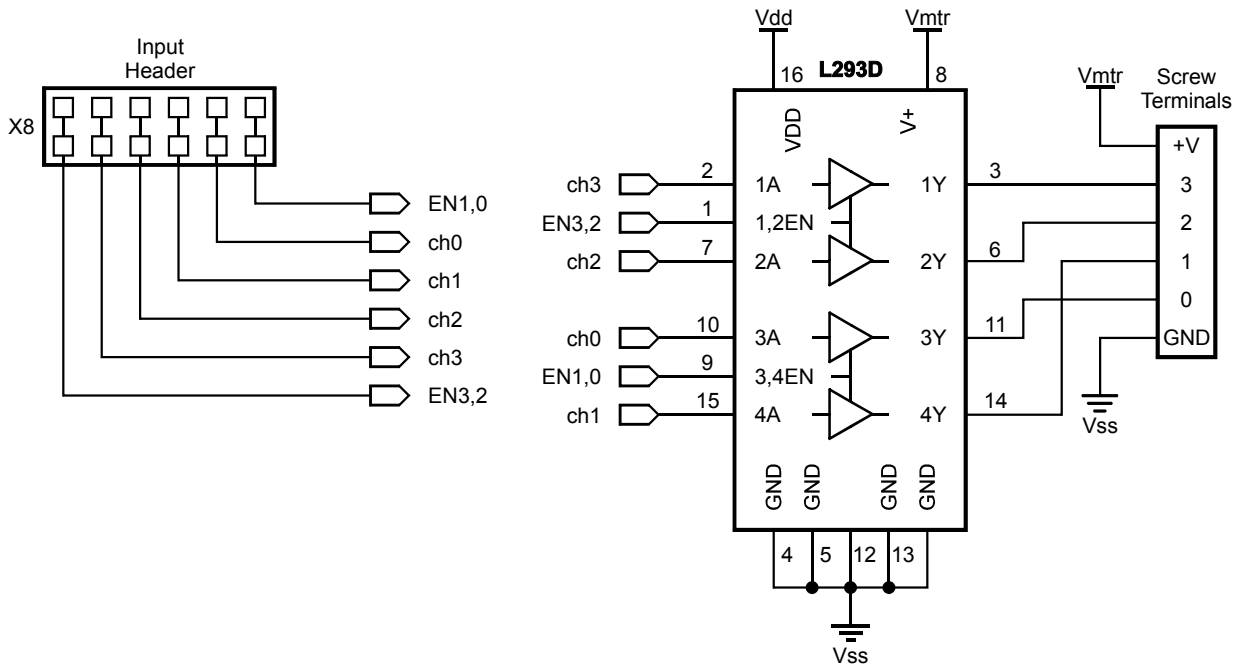
Professional Development Board Schematic Rev. C

Updated 1-30-07 © Parallax, Inc.

AUDIO AMPLIFIER



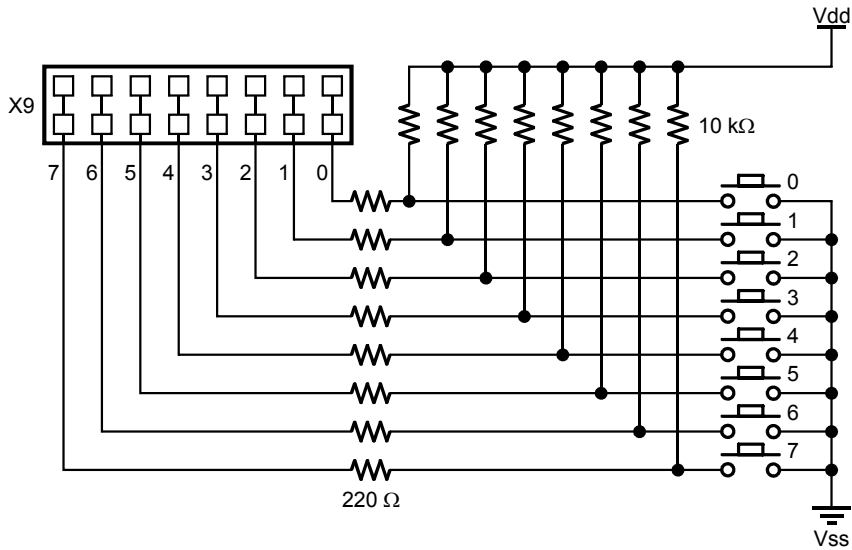
4-CH DRIVER



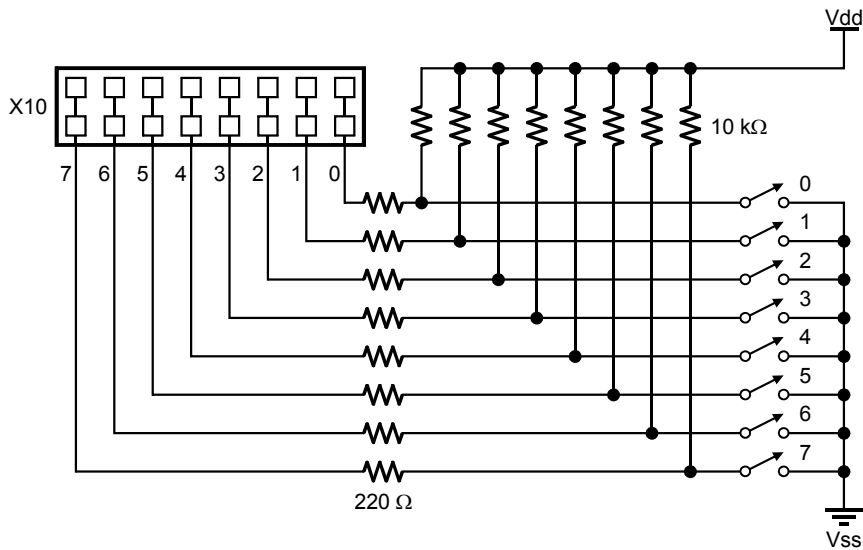
Professional Development Board Schematic Rev. C

Updated 1-30-07 © Parallax, Inc.

PUSH BUTTONS



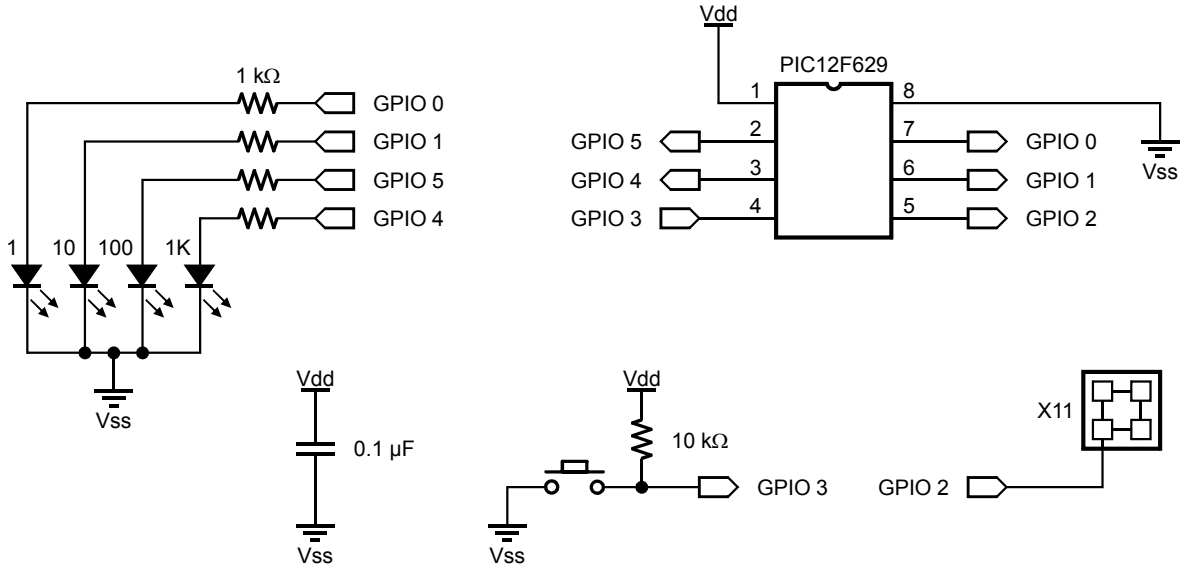
DIP SWITCHES



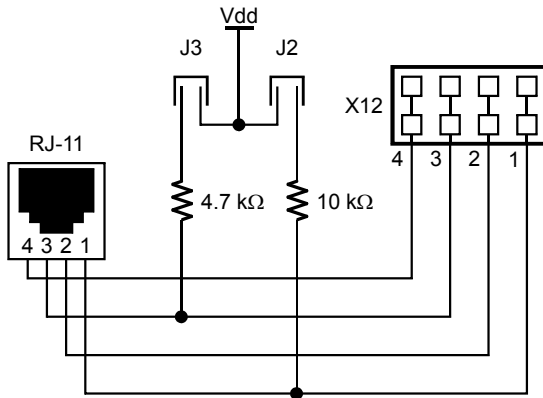
Professional Development Board Schematic Rev. C

Updated 1-30-07 © Parallax, Inc.

PULSE GENERATOR

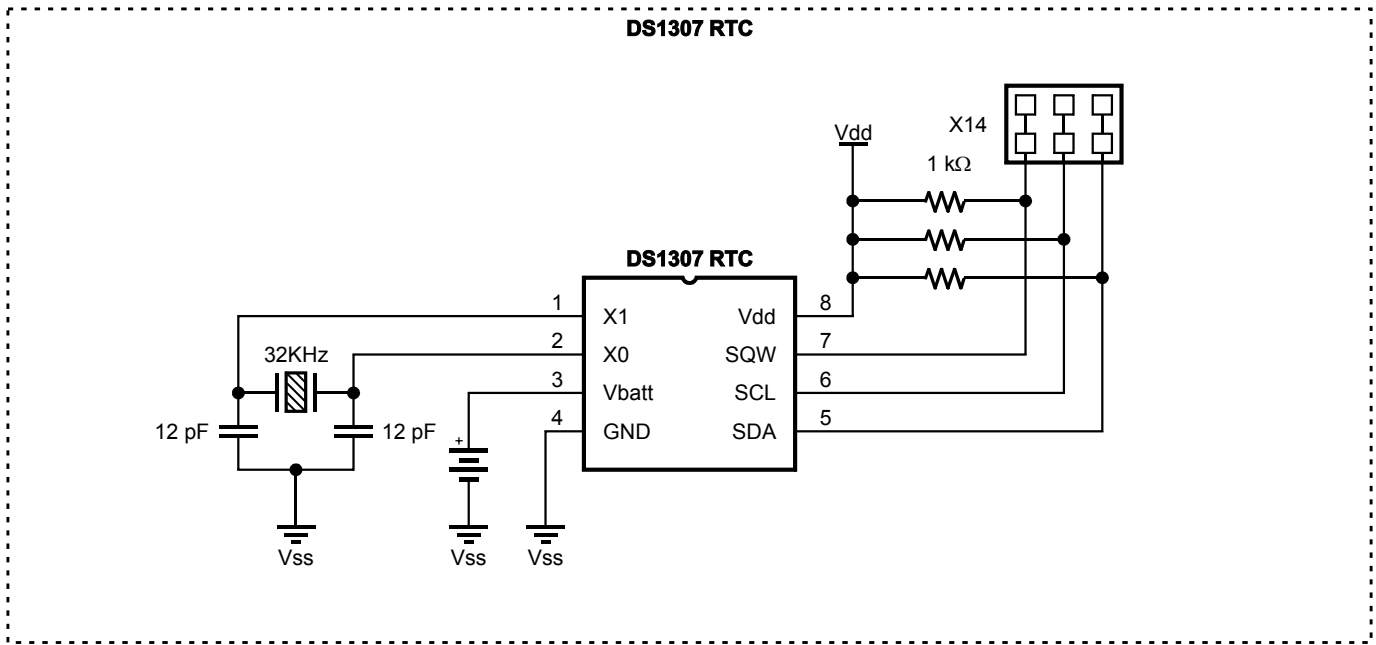
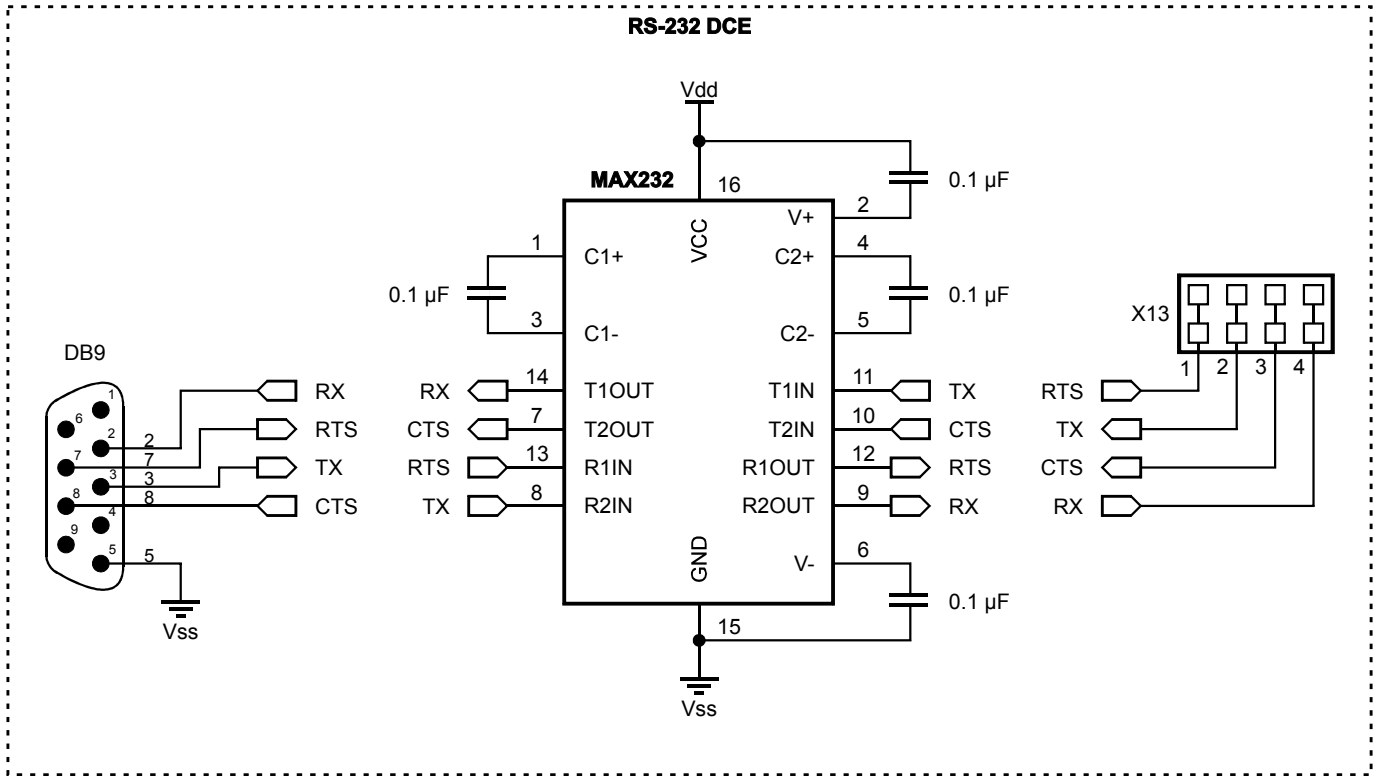


RJ-11



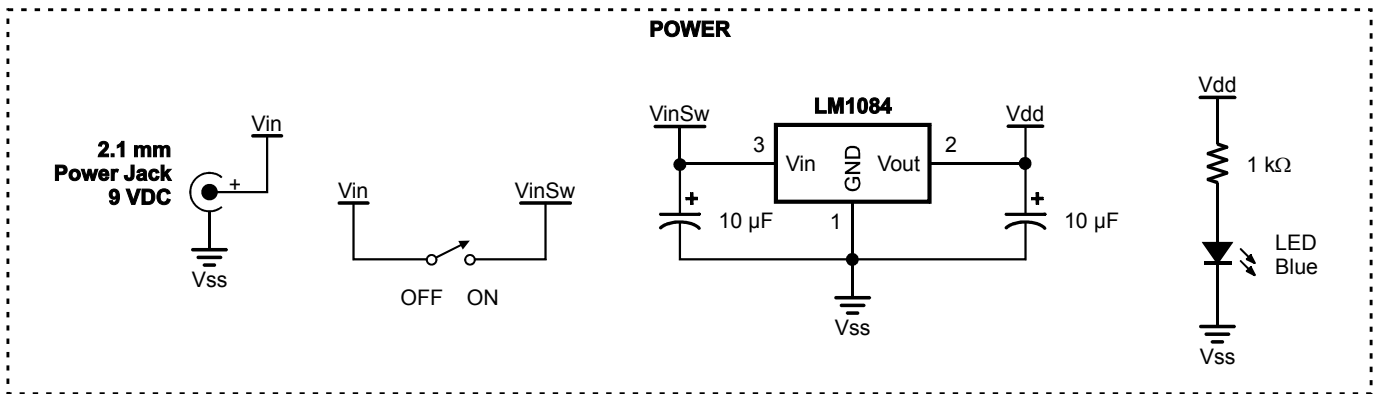
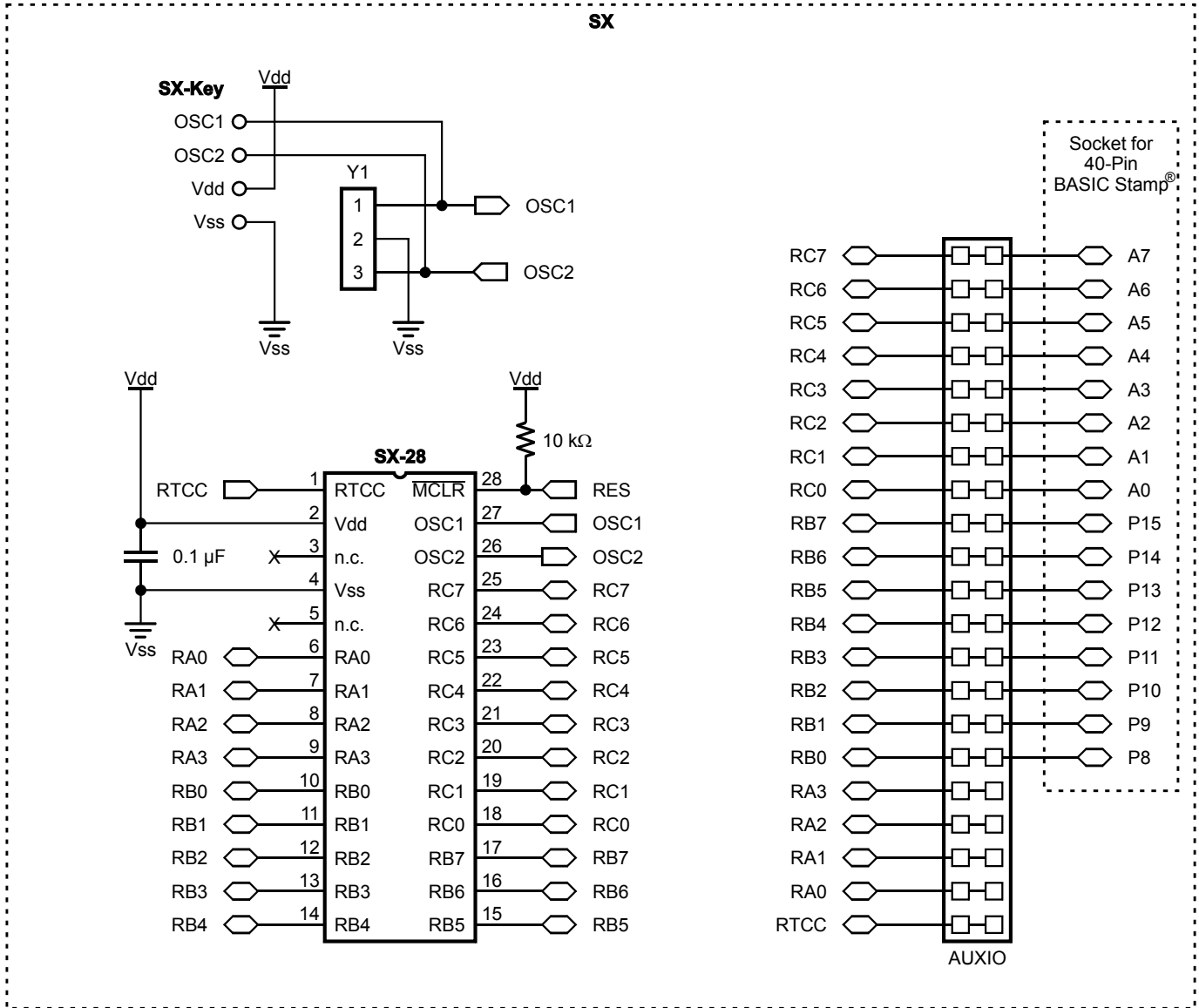
Professional Development Board Schematic Rev. C

Updated 1-30-07 © Parallax, Inc.



Professional Development Board Schematic Rev. C

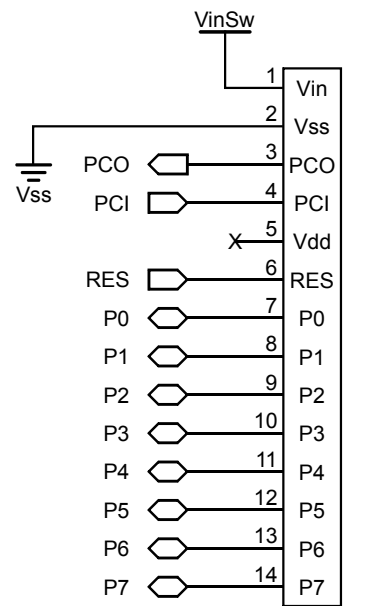
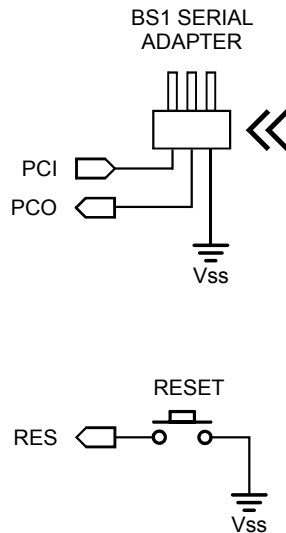
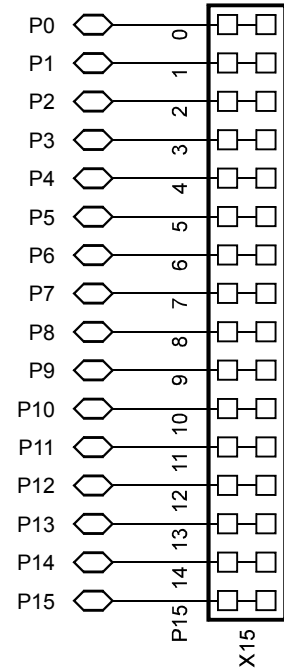
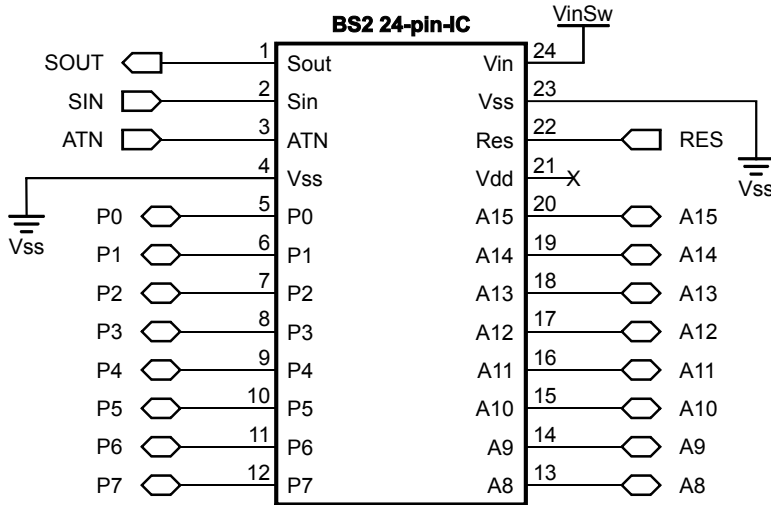
Updated 1-30-07 © Parallax, Inc.



Professional Development Board Schematic Rev. C

Updated 1-30-07 © Parallax, Inc.

SOCKETS for BASIC STAMP®



Professional Development Board Schematic Rev. C

Updated 1-30-07 © Parallax, Inc.

